



DT Series™

Dump-Through Series
Rail Style Liftgate

1600 lb. to 3000 lb. Capacities

SERVICE PARTS LOCATOR

For Models: DT16 • DT20 • DT30



Ultron Lift Inc.
Les Hayons Ultron Inc.
12 Industrial St.
Toronto, ON M4G 1Y9 Canada
Phone: 416-421-7987
Fax: 416-421-7927

Ultron Lift Corp.
190 Lewis St. • PO Box 6126
Buffalo, NY 14240-6126 USA
Phone: 800-289-1335
716-853-7994
Fax: 716-854-5424

www.ultronlift.com

Introduction

Each Ultron liftgate is manufactured to stringent quality standards for years of reliable service. To ensure maximum performance of your Ultron liftgate, always specify and use “OEM Parts” from Ultron Lift.* Look for Ultron Lift “OEM Parts” display rack at your local distributor or call us.

This manual is a complete parts listing for DT Liftgates from 1600 to 3000 lb. capacity. We have provided charts and diagrams to make the selection of the correct part as easy as possible.

This manual does not provide procedures for the servicing and repair of an Ultron liftgate. Service and repair should only be performed by an authorized Ultron Lift distributor. For information on the nearest authorized Ultron Lift distributor contact:



Ultron Lift Inc.
Les Hayons Ultron Inc.
12 Industrial St.
Toronto, ON M4G 1Y9 Canada
Phone: 416-421-7987
Fax: 416-421-7927

Ultron Lift Corp.
190 Lewis St. • PO Box 6126
Buffalo, NY 14240-6126 USA
Phone: 800-289-1335
716-853-7994
Fax: 716-854-5424

www.ultronlift.com

** The use of non-standard or makeshift parts can be extremely hazardous and result in serious injury or death.*

Table of Contents

Introduction	1
General Information	3
Ordering Information	4
Key Components	5
H-Frame - Standard	6
Internal H-Frame Components.....	7
Platform.....	8
Electrical Components	9
Slider Assembly	10
Cylinder Assembly	11
Hydraulic Power Unit Assembly	12
Decals	13
Help and Service.....	14

General Information

MODEL NUMBER CODING

The code and model numbers of a liftgate are references to its size, type and capacity. Using these numbers when ordering or specifying improves customer satisfaction and delivery.

Model Number: **DT2036**

<u>DT</u>	<u>20</u>	<u>36</u>
1	2	3

- LIFTGATE TYPE**
DT = Dump-Through Style Liftgate
- WEIGHT CAPACITY**
16 = 1600 lb. Capacity
20 = 2000 lb. Capacity
30 = 3000 lb. Capacity
- DEPTH OF PLATFORM** (not including ramp)
36 = 36" of platform loading area

Ordering Information

STEP 1 Determine the assembly on which the desired part is located using either the Table of Contents (page 2) or the Key Components diagram (page 5)

STEP 2 Identify the Item number from the appropriate part in the assembly diagram.

STEP 3 Locate the appropriate row listing the Item number in the table below the assembly diagram.

ITEM #	DESCRIPTION	DT16	DT20	DT30
1	SPROCKET	20013		30007
2	PIN, SPROCKET		20016	
3	PIN RETAINER		20018	

STEP 4 Locate the column in the table that matches your model liftgate.

ITEM #	DESCRIPTION	DT16	DT20	DT30
1	SPROCKET	20013		30007
2	PIN, SPROCKET		20016	
3	PIN RETAINER		20018	

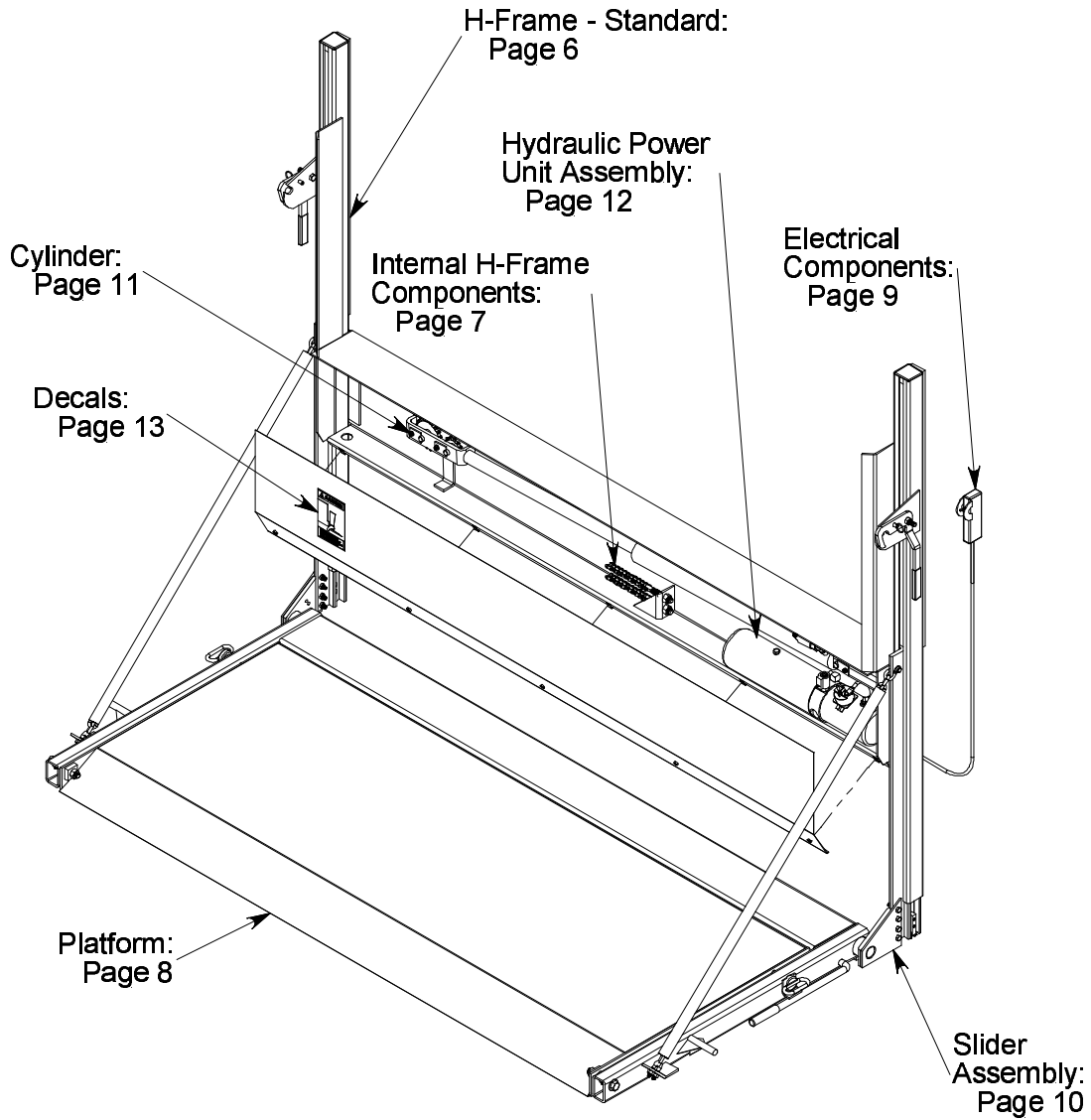
STEP 6 Find the correct part number.

ITEM #	DESCRIPTION	DT16	DT20	DT30
1	SPROCKET	20013		30007
2	PIN, SPROCKET		20016	
3	PIN RETAINER		20018	

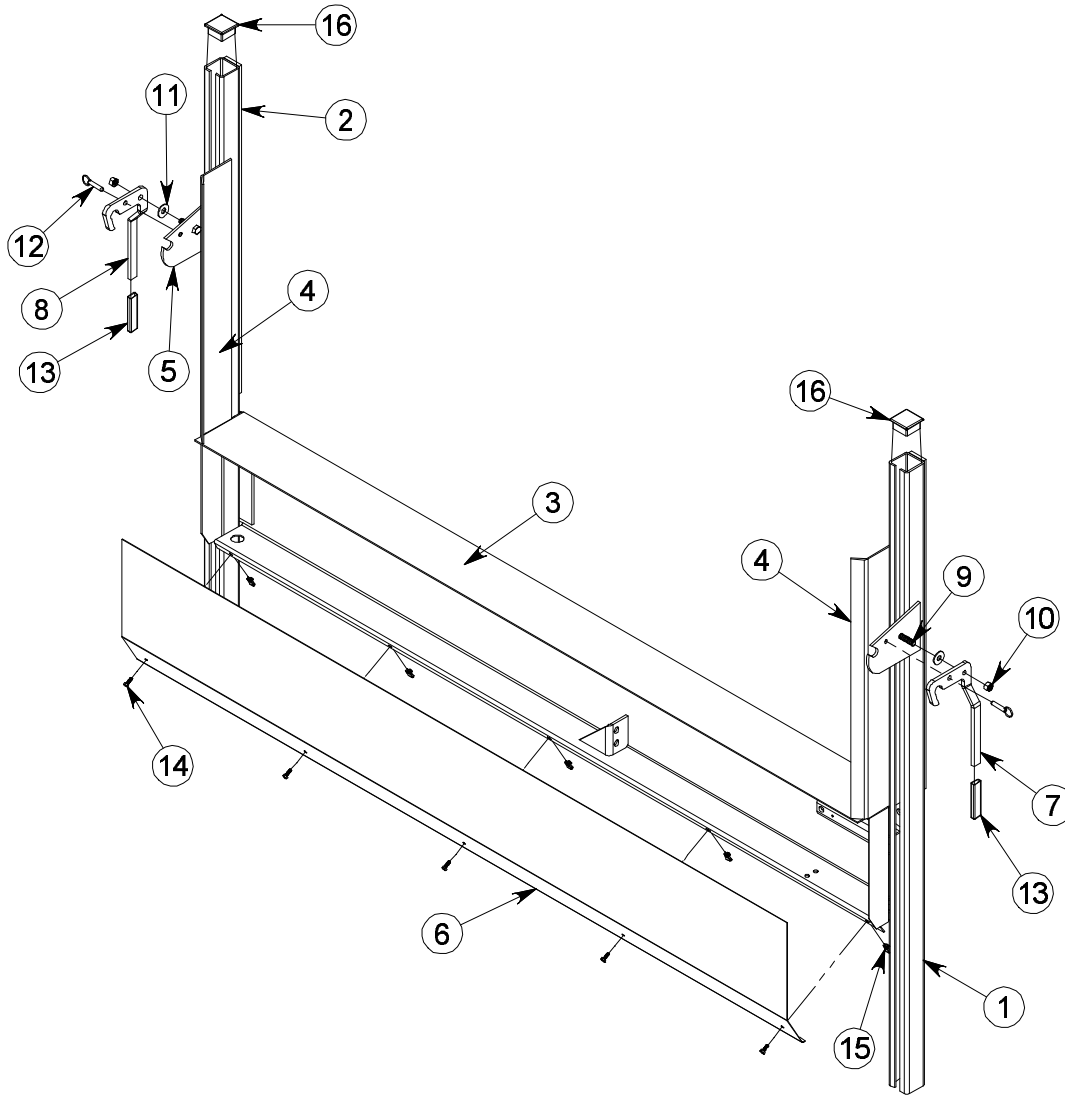
STEP 7 Order the part

Model Number: DT2036
 Part Name: Sprocket
 Quantity Required: 1
 Part Number: 20013

Key Components

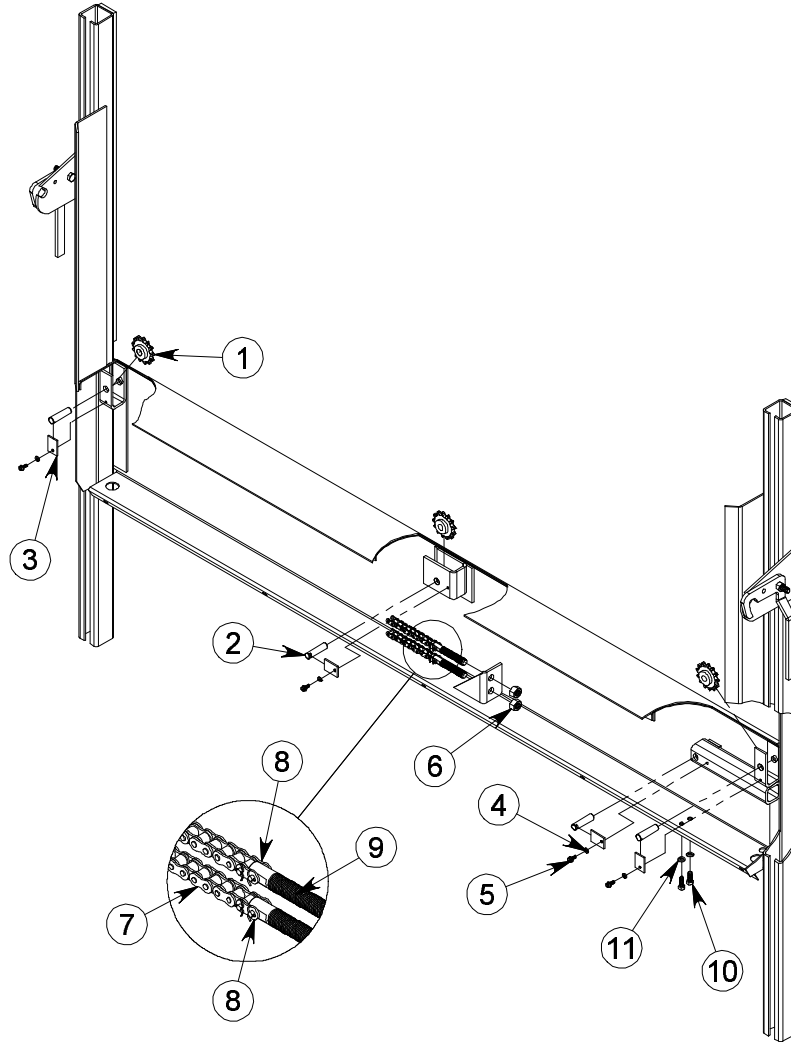


H-Frame - Standard



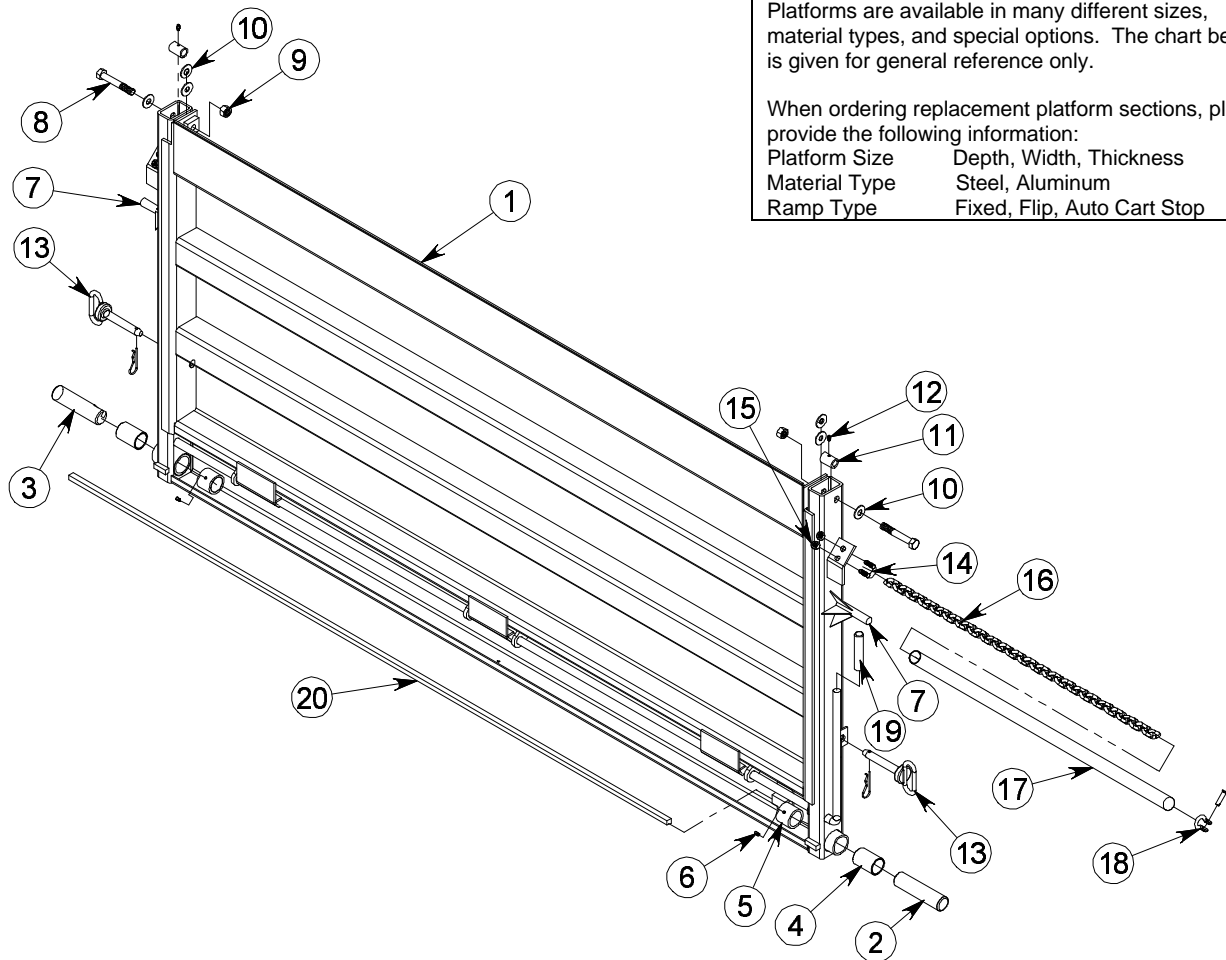
ITEM #	DESCRIPTION	DT16	DT20	DT30	QTY
	COMPLETE ASSEMBLY	16317	20609	30609	1
1	TRACK, 72", RH		20054		1
2	TRACK, 72", LH		20055		1
3	HOUSING SEAL, THRESHOLD		20611		1
4	HOUSING SEAL, RAIL		30039		1
5	TRAVEL PLATE		20373		1
6	HOUSING COVER		20029		1
7	HANDLE, RH		20275		1
8	HANDLE, LH		20276		2
9	BOLT		40026		3
10	NUT		30046		1
11	WASHER		??		3
12	AIRCRAFT PIN		16148		3
13	HANDLE, RUBBER		20292		1
14	BOLT		20038		1
15	TINNERMAN CLIP		20049		2
16	RAIL CAP		12045		2

Internal H-Frame Components



ITEM #	DESCRIPTION	DS16	DS20	DS30	QTY
1	SPROCKET, WITH BEARING	20013	30007		3
2	PIN, SPROCKET		20016		4
3	PIN RETAINER, SPROCKET		20018		4
4	WASHER		10256		4
5	SCREW, SELF TAPPING		10255		4
6	NUT, CHAIN ANCHOR		20090		2
7	CHAIN, ROLLER	20044	30021		2
8	CHAIN, MASTER LINK	20010	30004		2
9	BOLT, CHAIN ANCHOR	20007	30003		2
10	BOLT		20211		2
11	WASHER		10092		2

Platform

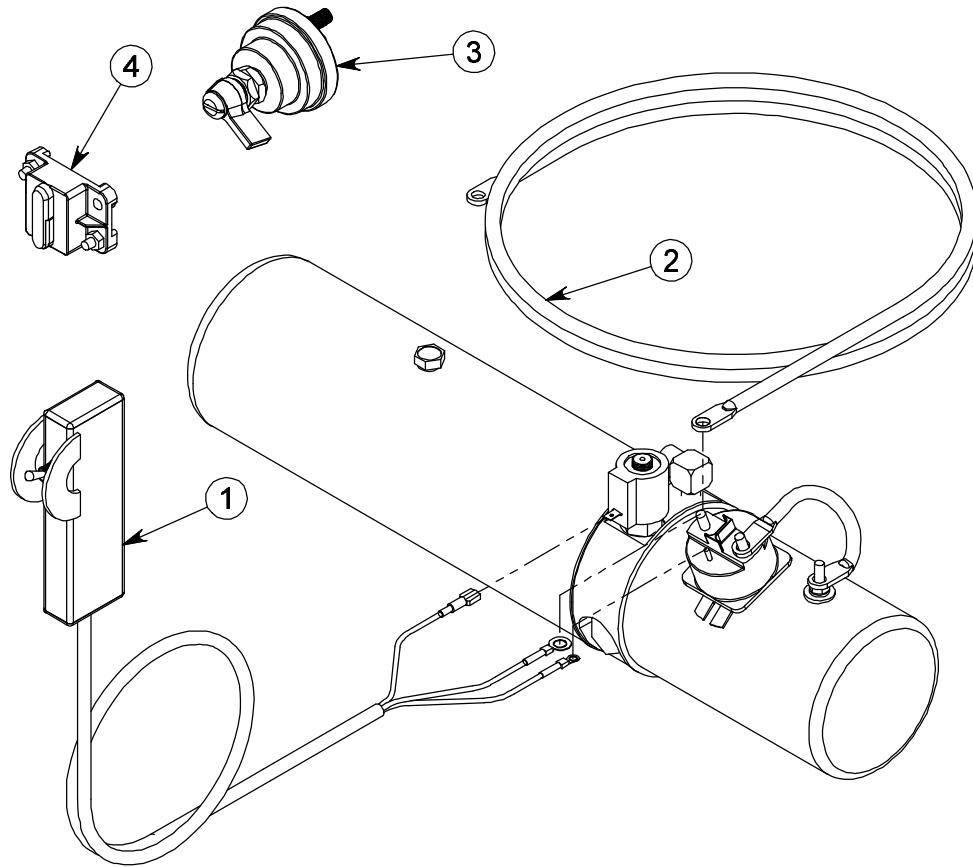


Platforms are available in many different sizes, material types, and special options. The chart below is given for general reference only.

When ordering replacement platform sections, please provide the following information:
 Platform Size Depth, Width, Thickness
 Material Type Steel, Aluminum
 Ramp Type Fixed, Flip, Auto Cart Stop

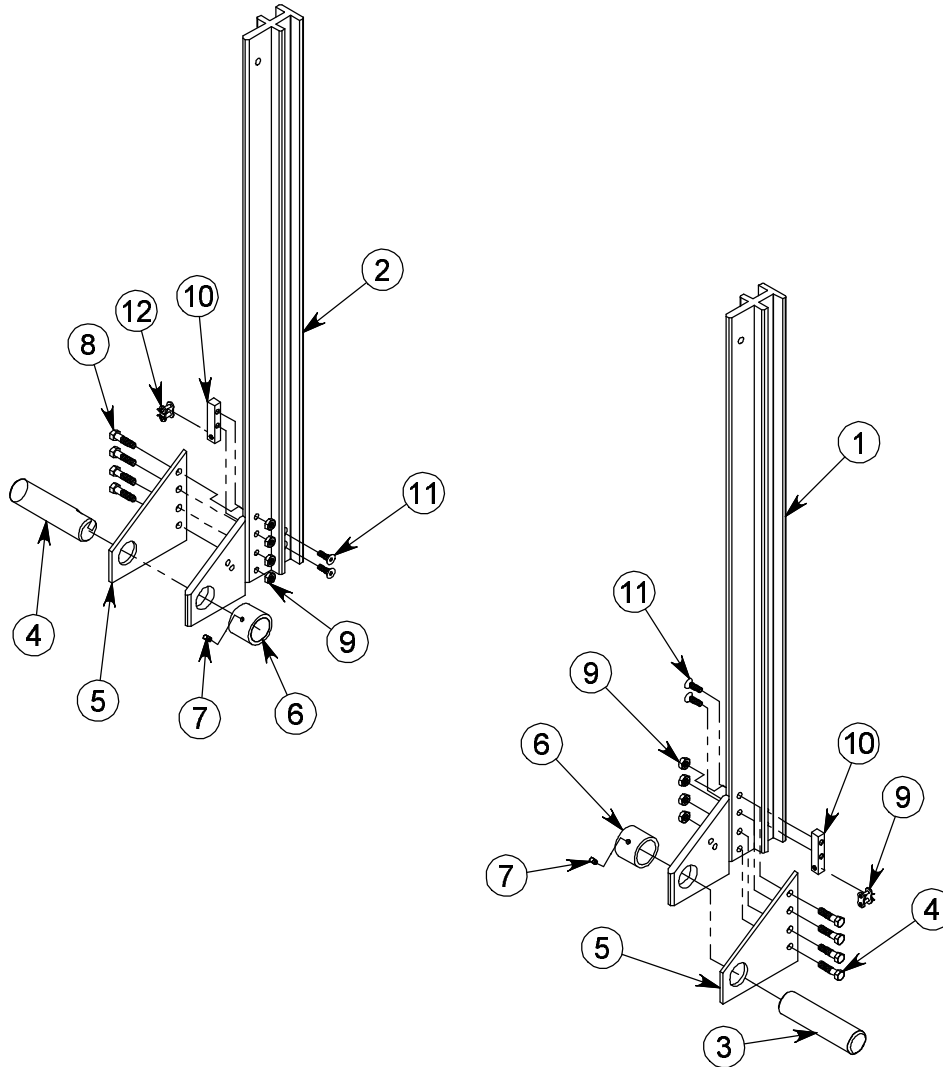
ITEM #	DESCRIPTION	DT16	DT20	DT30	QTY
1	ENTIRE PLATFORM ASSEMBLY	90085		90081	1
2	HINGE PIN, BLANK		20249		1
3	HINGE PIN, 9/16" SLOTTED		20265		1
4	BUSHING, HINGE TUBE		20124		2
5	COLLAR, HINGE PIN		20205		2
6	SCREW, SQUARE HEAD		20212		2
7	TRAVEL EAR ASSEMBLY		20679		2
8	BOLT		20089		2
9	NUT		10262		2
10	WASHER		60011		6
11	BUSHING, PLATFORM HINGE		30279		2
12	GREASE FITTING		20220		2
13	PLATFORM LOCK PIN		20358		2
14	U-BOLT	16199		30045	2
15	NUT	16200		30046	4
16	SIDE CHAIN	20213	43 LINKS	30213	2
17	CHAIN SLEEVE	16382		16149	2
18	SHACKLE	20216		30216	2
19	HANDLE, RUBBER		20292		1
20	TORSION BAR, 9/16"		20245		1

Electrical Components



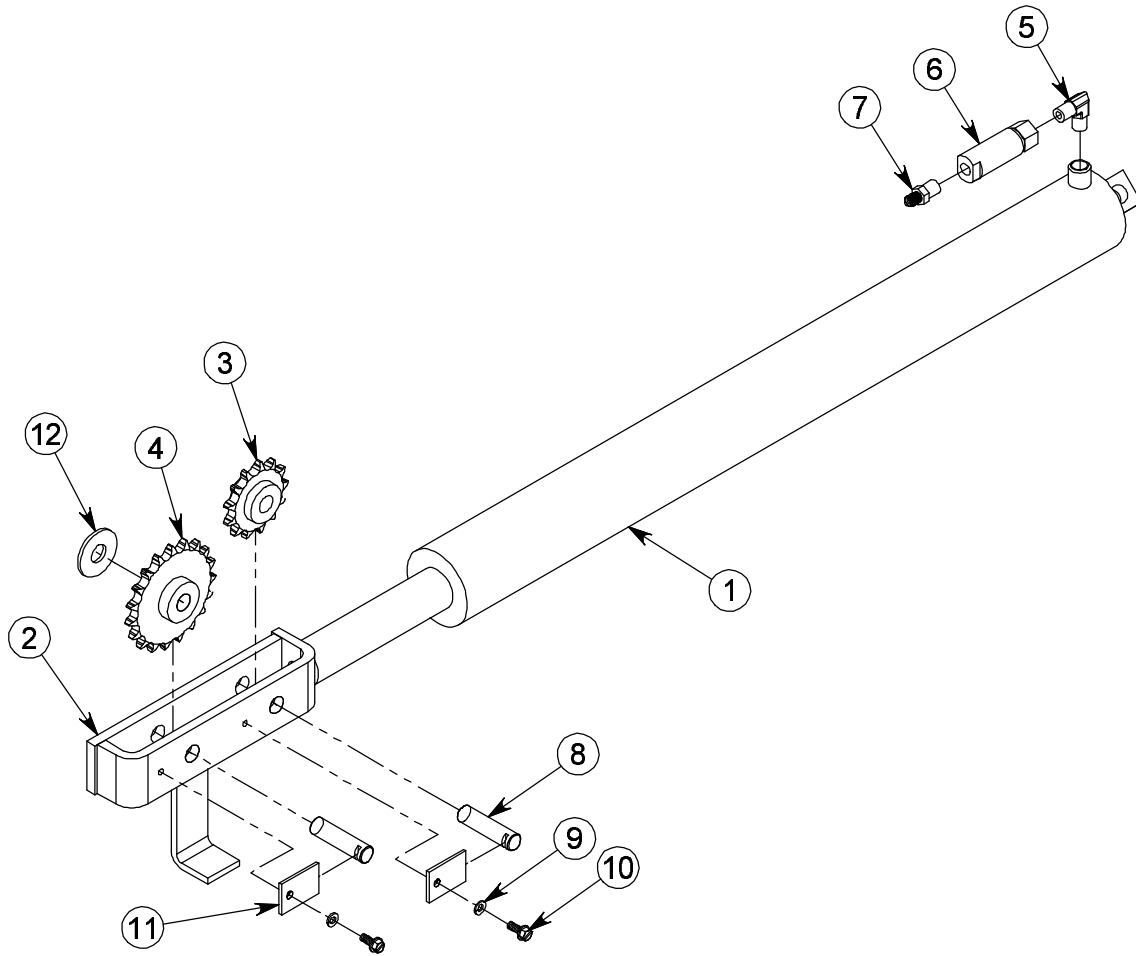
ITEM #	DESCRIPTION	PART #	QTY
1	TOGGLE SWITCH ASSEMBLY	12103	1
2	CABLE, BATTERY	16369	1
3	MASTER DISCONNECT SWITCH	20450	1
4	CIRCUIT BREAKER	20453	1

Slider Assembly



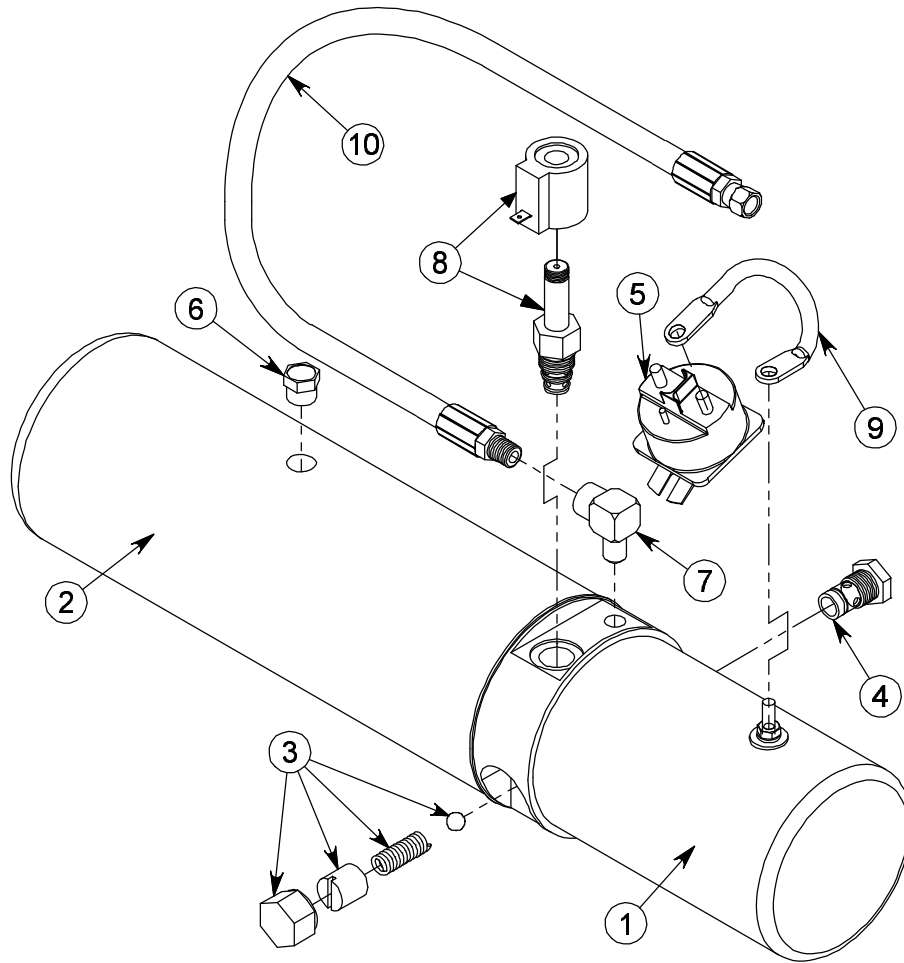
ITEM #	DESCRIPTION	DT16	DT20	DT30	QTY
1	SLIDER ASSEMBLY, RH		20715		1
2	SLIDER ASSEMBLY, LH		20716		1
3	PLATFORM HINGE PIN, BLANK		20249		1
4	PLATFORM HINGE PIN, 9/16" SLOT		20265		1
5	SLIDER FOOT REINFORCEMENT		20707		2
6	COLLAR, HINGE PIN		20205		2
7	SCREW, SQUARE HEAD		20212		2
8	BOLT		10085		8
9	NUT		20210		8
10	TERMINATION BLOCK	20006		30002	2
11	TERMINATION BLOCK SCREW		10006		4
12	CHAIN, MASTER LINK	20010		30004	2

Cylinder Assembly



ITEM #	DESCRIPTION	DT16	DT20	DT30	QTY
	COMPLETE CYLINDER ASSEMBLY	16216		30117	1
1	CYLINDER	2½" X 27" 40111			1
2	CYLINDER HEAD	10109		20111	1
3	SPROCKET, SMALLER, WITH BEARING	20013		30107	1
4	SPROCKET, LARGER, WITH BEARING	20108		30106	1
5	FITTING, 90° MALE NPT		20473		1
6	FLOW CONTROL		25183		1
7	FITTING, STRAIGHT, NPT-JIC		25021		1
8	PIN, SPROCKET		20016		2
9	WASHER		10256		2
10	SCREW, SELF TAPPING		10255		2
11	PIN RETAINER, SPROCKET		20018		2
12	WASHER		20017		1

Hydraulic Power Unit Assembly

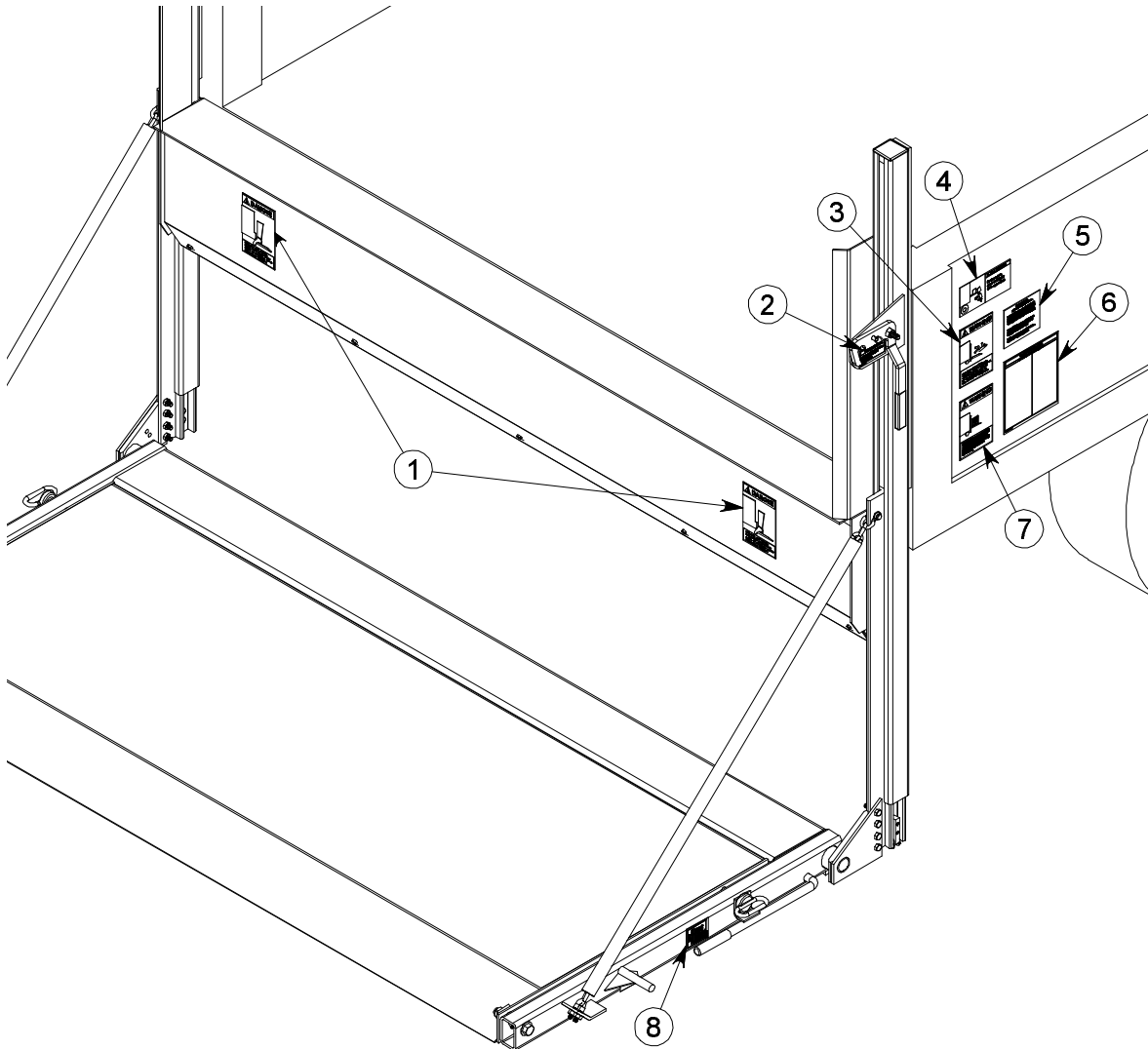


ITEM #	DESCRIPTION	PART #	QTY
	POWER UNIT ASSEMBLY, DB1436	20717	1
1	MOTOR,	25163	1
2	RESERVOIR	25480	1
3	VALVE, RELIEF	68226	1
4	VALVE, CHECK	25477	1
5	SOLENOID, 12VDC	20722	1
6	BREATHER	12291	1
7	FITTING, 90°	20483	1
8	VALVE, RELEASE	10137	1
9	CABLE, SOLENOID	10022	1
10	HOSE, HIGH PRESSURE	10044	1

Decals

Properly placed warning decals are an essential part of your safety program. Check that all safety decals are in place and are legible. Any missing decals **MUST** be replaced immediately. Replacement decals may be obtained **FREE** of charge from your distributor or by phoning, writing, or faxing us.

Following are the proper decals that you should have and their proper locations:



ITEM #	DESCRIPTION	UNITED STATES			CANADA			QTY
		DT16	DT20	DT30	DT16	DT20	DT30	
1	DANGER, LIFTGATE CAN CRUSH	20413			20426			2
2	SAFETY, LOCK HANDLE	30092						1
3	WARNING, AVOID RIDING	16182			20411			1
4	WARNING, KEEP CLEAR	20425			20428			1
5	URGENT WARNING	16181			20427			1
6	OPERATING INSTRUCTIONS	30090						1
7	WARNING, MAX. CAPACITY	16179	16180	16185	16194	20424	30426	2
8	SAFETY, DUMP TAILGATE	30091						1

Help and Service

With careful maintenance and operation your **Ultron** liftgate should give you years of trouble free use. If a problem does develop, contact your liftgate distributor. They are best equipped to service your liftgate.

If you have suspected warranty problems, contact the distributor from whom you purchased the liftgate. They will normally process your claim from start to finish.

Your distributor will repair your liftgate and get you on the road as quickly as possible. They may invoice you for this service. If the problem is found to be warrantable by Ultron Lift Corp., Ultron liftgates will issue your Distributor a credit, which should then be credited back to you.