



DV Series™ Rail Style Liftgate

Read Before Operating

OPERATOR'S MANUAL

For Models: DV45 • DV60

Ultron

Ultron Lift Inc.
12 Industrial St.
Toronto, ON M4G 1Y9 Canada
(416) 421-7987

Ultron Lift Corp.
190 Lewis St. • PO Box 6126
Buffalo, NY 14240-6126 USA
(716) 853-7994
800-289-1335

www.ultronlift.com



The **Ultron Quick Response TEAM** stands ready to provide you with fast action when you need service, parts or technical assistance:

7 days/24 hours- web site: www.ultronlift.com
e-mail: QRT@ultronlift.com

8:00am to 5:00pm (EST) Monday to Friday
voice: 1-800-289-1335 (USA)
1-416-421-7987 (Canada)

Use this space to insert your liftgate reference numbers for easy access.

SERIAL #
MODEL #



WARNING

Improper operation of this liftgate may result in severe personal injury or death. **DO NOT** operate this liftgate without proper instruction and a complete understanding of the procedures in this manual.

**DV Manual Part #68023
DV Operator's Manual Revision 06/2003
This publication replaces all editions bearing an earlier date.**

For Your Safety

This Manual follows the Guidelines set forth in ANSI Z535.4-1998 for alerting you to possible hazards and their potential severity.



This is the safety alert symbol. This manual uses this symbol to alert you to potential personal injury hazards. Obey all safety messages that follow this symbol to avoid possible injury or death.



DANGER indicates an imminently hazardous situation which, if not avoided, will result in death or serious injury.



WARNING indicates a potentially hazardous situation which, if not avoided, could result in death or serious injury.



CAUTION indicates a potentially hazardous situation which, if not avoided, may result in minor or moderate injury.



CAUTION used without the safety alert symbol indicates a potentially hazardous situation which, if not avoided, may result in property damage.

INTRODUCTION

Thank you for purchasing our liftgate. Your DV liftgate is an example of the finest engineering in the industry and, with proper care and operation, will give you reliable, dependable service for years. Not only have you purchased one of our liftgates; we feel you have entered into a partnership with us.

To begin our partnership we welcome you to our Team and assure you your continuous satisfaction with our product is most important to us. Our **Quick Response TEAM** stands ready to provide you with fast action when you need sales, parts, or technical assistance. You can call our customer service department Monday - Friday 8 a.m. to 5 p.m. Eastern Time or reach us 24 hours a day, 7 days a week through our internet home page (www.ultronlift.com) or voice message system. Providing quality, value, and service to our customers is what our business is all about.

Read this manual carefully to learn how to operate and care for your liftgate properly. Maintenance (other than the simple routine maintenance we ask you to perform within this manual), inspections, and repairs must be completed by an **Authorized Service Center only**. If you do not know who the Authorized Service Center in your area is, please contact us at:

Ultron

Ultron Lift Inc.

12 Industrial St.
Toronto, ON M4G 1Y9 Canada
Phone: (416) 421-7987
Fax: (416) 421-7927

Ultron Lift Corp.

190 Lewis St. • PO Box 6126
Buffalo, NY 14240-6126 USA
Phone: (716) 853-7994
800-289-1335
Fax: (716) 854-5424

E-mail: QRT@ultronlift.com

TABLE OF CONTENTS

Description	Page
For Your Safety	3
Introduction	4
Table of Contents	5
Scope of this Manual	7
DV Series Liftgate Description	9
Theory of Operation	10
Design Detail	11
Special Features	13
Limits of Operation & Use	14
Abnormal & Unsafe Practices	15
Safety	16
Safety Decals	18
1. Activating Liftgate	
To Operate Liftgate	19

TABLE OF CONTENTS

Description	Page
2. Normal Operating Procedures	
Opening Liftgate Platform.....	20
Proper Cargo Handling Procedures.....	21
Closing and Storing the Platform	24
Deactivating the Liftgate	26
Proper Dock Loading Procedures	27
3. Preventive Maintenance	
Essential Maintenance	35
Daily Overall Inspection	38
Periodic Lubrication	41
Liftgate Warranty Procedure	41
Getting Help	44
Ordering Parts	45
Three Year Limited Warranty	46

Scope of this Manual

We have designed this manual to illustrate the steps needed for the basic operation of our Direct Lift Series (DV) liftgates. It also provides safety information and simple preventive maintenance tips.

NOTE: *This manual is not intended for use as a repair or troubleshooting guide. Repairs should be performed by an Ultron Authorized Service Center.*

This manual has been designed for use in conjunction with the DV Series liftgate only. These are rail-style direct lift liftgates with capacities of 4500 lb. up to and including 6000 lb. To determine the type of liftgate you have:

- 1) Refer to the serial number tag on the liftgate. The area labeled "Model Number"(see page 5 of this manual) will have a "DV" denotation in the prefix of the model number if it is a DV series liftgate;
- 2) Ask your employer or lessor;
- 3) Call your Ultron Authorized Service Center for assistance;
- 4) Call us for assistance at 1-800-289-1335 (U.S.A.) or at 1-416-421-7987 (Canada). You can also contact us by fax, or on the internet - www.ultronlift.com

If you are experiencing difficulty or are in need of repair, contact the Factory for information on the experienced and trained Ultron Authorized Service Center in your area.

Replacement manuals are available, just call us & order part #68023.

Scope of this Manual

MODEL NUMBER

The code and model numbers of a liftgate are references to its size, type and capacity.

DV 45 72

1 2 3

1. LIFTGATE TYPE

DV = Direct Vertical Lift Style Liftgate

2. WEIGHT CAPACITY

45 = 4500 lb. capacity

60 = 6000 lb. capacity

3. DEPTH OF PLATFORM (not including ramp)

72 = 72" of platform loading area

DV Series Liftgate Description

The DV Series liftgate is a 100% level-ride, rail-style direct vertical lift liftgate. The DV Series is available in capacities of 4,500 and 6,000 pounds.

Rail-style liftgates have two rails mounted to the rear of your truck, either by welding or bolting. These rails, also called tracks, support a platform which raises and lowers cargo.

The DV Series liftgate come in 2 basic models

- DV 45 - capacity: 4500 lbs.
- DV 60 - capacity: 6000 lbs.

Depending on what type of DV Series liftgate you have, it may or may not lift above the floor of your truck. Models that will lift above the truck floor will have a suffix at the end of the model number: AF. Here is an example:

DV 45 72

IMPORTANT SAFETY FEATURES

- Pressure compensated flow control valve
- Treadplate platform
- Toe Guard in cross beam
- Platform safety lock
- Close Relief Valve
- Warning decals and manuals
- Three way folding aluminum ramp

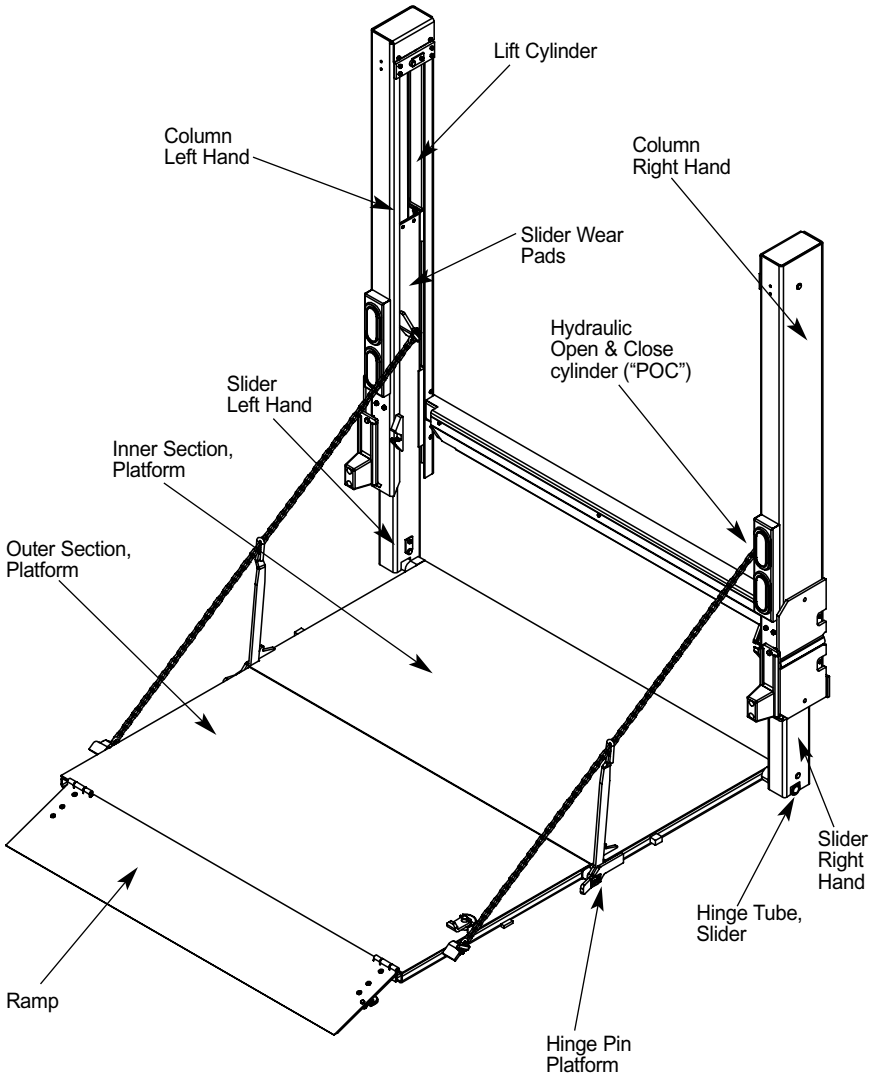
Theory of Operation

The rail-type direct lift vertical liftgate is designed to lift cargo vertically from the truck bed to the ground and vice versa. A hydraulic power unit provides power to two vertical cylinders that raise and lower the platform. Activation of a control switch supplies current from a 12-volt battery to the hydraulic power unit. The hydraulic power unit in turn supplies hydraulic fluid to the hydraulic cylinders, causing them to retract. The resultant upward pull on the platform raises it.

The platform is lowered by hydraulic power. Activation of the control switch directs hydraulic fluid to extend the cylinder. The resultant downward force on the platform lowers it.

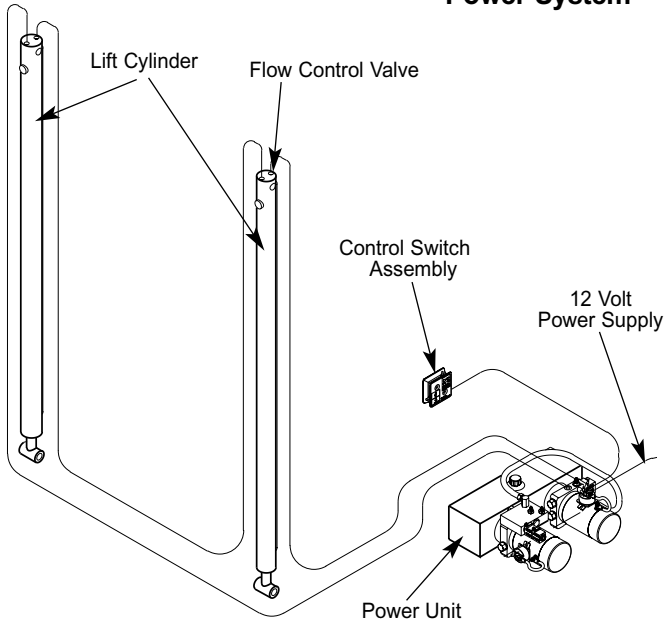
The platform opens and closes hydraulically. The platform is closed by directing hydraulic fluid from the hydraulic power unit to the lower part (shaft end) of the Hydraulic Power Open and Close Cylinder. The platform opens hydraulically by directing hydraulic fluid to the upper part of the Hydraulic Power Open and Close Cylinder.

Design Detail



Design Detail

Power System



Special Features

We have developed the new low maintenance features for our liftgates by listening to you – our customers. Our low maintenance liftgates are value engineered to reduce maintenance cost and downtime while increasing productivity. Our special features include:

MAINTENANCE FREE BUSHINGS

at all major hinge points - These bushings are installed along with grease fittings that were traditionally high maintenance items. These new bushings significantly reduce maintenance cost and downtime.

SEALED CONTROL

In order to help prevent freezing and corrosion of the control switch, all liftgates feature a marine toggle switch with rubber boot.

PRESSURE COMPENSATED FLOW CONTROL VALVE

This valve ensures that the platform descent is controlled at any load capacity or in the event of a damaged hose.

CLOSE RELIEF VALVE

This is a safety device that prevents an operator from inadvertently closing the platform when it's loaded.

We are always interested in hearing your comments and suggestions especially to improve our products, please contact us at 1-800-289-1335 (U.S.A.) or 1-416-421-7987 (Canada) or on our internet page (www.ultronlift.com) anytime. If we are not there, leave a message and we will get back to you as soon as possible.

Limits of Operation & Use

SAFETY INSTRUCTIONS

1. Improper operation of this lift can result in serious personal injury. **DO NOT OPERATE** unless you have been properly instructed and have read, and are familiar with, the Operation Manual. If you do not have a copy of the operation manual, please obtain it from your employer, distributor, or lessor, as appropriate, before you attempt to operate the lift.
2. Be certain the vehicle is properly and securely braked before using the lift.
3. Always inspect this lift for proper maintenance or damage before using it. If there are signs of improper maintenance, damage to vital parts, or slippery platform surface, do not use the lift. **DO NOT attempt** your own repairs, unless you are specifically trained.
4. **DO NOT OVERLOAD.** See Maximum Capacity Load Decal for the rated load. Remember that this limit applies to both raising and lowering operations.
5. Each load should be placed in a stable position as near as possible to the **CENTER** of the platform.
6. Keep people clear of liftgate while operating. **NEVER STAND** in or move through or allow anyone else to stand in or move through the area in which the lift may operate or into which an upset load might fall.
7. Ensure all decals are legible and in their correct locations. If you require replacement decals contact us immediately! Read all safety decals before operating the liftgate.

Abnormal & Unsafe Practices



WARNING

Improper use of the liftgate may result in severe damage to liftgate and/or severe personal injury or death. Never use liftgate for anything other than its designed use of loading/unloading cargo.

The following are unsafe practices that may cause hidden damage to the liftgate creating the risk of serious personal injury or death:

- Using the liftgate to pull, push, or tow objects
- Using force of the hydraulic system to bend, shear, or break objects
- Driving a forklift over the liftgate
- Driving the truck with platform open
- Driving the truck with platform un-secured in the travel position
- “Plowing” with the platform

The following unsafe practices may result in serious personal injury or death:

- Trying to use the liftgate as a “launching pad”
- Trying to power open or close the platform with cargo on it

Safety

OPERATE SAFELY

- Run liftgate through a full cycle before operating every day; inspect liftgate for missing or loosened fasteners, broken welds, signs of overload; and check that all decals are in their proper place and legible. (Please refer to your “Daily Check List” on page 38 of this manual)
- Clear area of any objects that may be pinched or crushed. Keep people out of work area. Stop operating liftgate if anyone enters the area.
- If you hit anything with the liftgate - STOP immediately! Remove object and inspect damage. Have an Authorized Service Center make any repairs before you operate liftgate again.
- DO NOT leave liftgate activated or platform open when unattended.
- DO NOT allow an untrained person to operate the liftgate.

HELP PREVENT SERIOUS INJURY OR FATAL ACCIDENTS

- Disconnect power to the liftgate after every use, using the Master Disconnect Switch in the cab of the truck.
- DO NOT run a forklift or machinery (exceeding rated load) over the platform at anytime.
- DO NOT use the liftgate for any other reason than loading or unloading cargo.
- DO NOT operate the liftgate if you are under the influence of drugs or alcohol.
- SECURE all loads before raising or lowering the platform
- NEVER exceed the maximum capacity

Safety

LOADING AND UNLOADING SAFELY

- Be sure to operate liftgate on a level surface.
- When backing truck to loading dock, do not hit the dock. Have a second person outside the truck directing you.
- Hitting the dock may cause hidden damage to liftgate components. Be sure to inspect the gate thoroughly for damage.

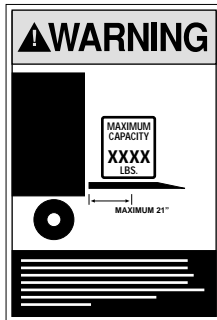
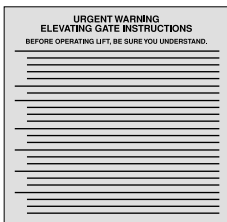
USING THE CONTROL SWITCH

- DO NOT depress the "UP" or "DOWN" toggle for any longer than necessary to perform the desired function. Release the toggle immediately once the platform reaches its full height or the ground. Failure to release toggle immediately will put excess wear on the power unit and truck battery.
- DO NOT "jerk" the liftgate by activating the "Up/Down" toggles too quickly. The sudden movement may cause the cargo to become unstable and/or fall.

Safety Decals

SAFETY DECAL KIT

- Urgent Warning: Elevating Gate Instructions
- 2 decals, Danger Message: Liftgate can crush.
- 1 decal, Warning Message: Keep people clear of liftgate while operating
- 1 decal, Operating Instructions
- 2 decals, Maximum Capacity



1. ACTIVATING LIFTGATE

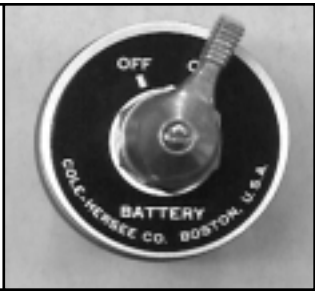
1.1 To Operate Liftgate



WARNING

Improper use of the liftgate may result in serious injury or death. DO NOT operate this liftgate without being properly instructed and fully understanding this Operation Manual.

STEP 1 Turn on power to liftgate by turning the master disconnect switch, located in pump box, to the "ON" position.



2. NORMAL OPERATING PROCEDURES

2.1 Opening Liftgate Platform

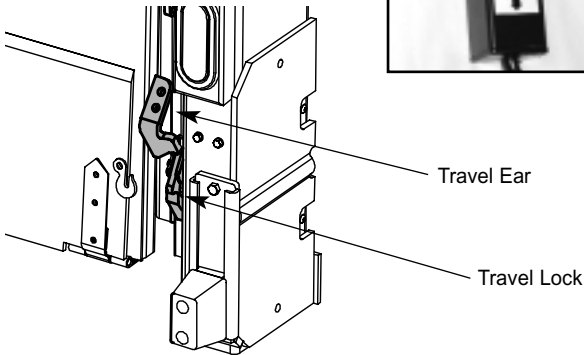


WARNING

Platform may crush or pinch.
Make sure people are clear of
area in which platform will open.

STEP 1 Be certain operating area around platform is clear before opening platform.

STEP 2 Using the "UP" toggle switch, power platform up so that it is completely out of the travel locks.



2.1 Opening Liftgate Platform

STEP 3 Using the "UP" toggle switch and "OPEN" toggle switch simultaneously, power open platform.



STEP 4 Using the "DOWN" toggle switch, lower platform for use.



2.2 Proper Cargo Handling Procedures



WARNING

Platform may crush or pinch. Make sure people are clear of area in which platform will open.

STEP 1 Open the platform. See “Opening Liftgate Platform” page 20.

STEP 2 To release the ramp, flip the brackets until they rest on the stop. Unfold the ramp so it rest on the ground



STEP 3 Raise the platform to the bed of the truck by positioning the toggle switch located **inside** the column to the “UP” position.

Note: Use caution when riding the liftgate. Do not ride platform in such a manner that a fall might endanger you.



STEP 4 Load the platform



2.2 Proper Cargo Handling Procedures

STEP 5 Lower the platform to the ground by positioning the toggle switch located on the **inside** of the track to the “DOWN” position.



STEP 6 Begin unloading.



STEP 7 Once use of the liftgate is complete, place the platform in its stored position. See “Closing and Storing the Platform” **pages 24-25**.



2.3 Closing and Storing the Platform



WARNING

Platform may crush or pinch. Make sure people are clear of area in which platform will open.



CAUTION

Driving without the ramp secured to the platform may cause damage to the platform and ramp. Always secure the ramp within the latches provided to prevent movement.

STEP 1 To store the ramp, lift the ramp to its horizontally stowed position and flip the brackets so they hold the ramp into position.



STEP 2 With the platform open, power platform all the way up.

STEP 3 Using the "UP" toggle switch and "CLOSE" toggle switch simultaneously, power close platform.



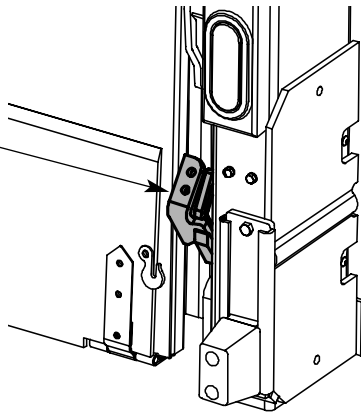
2.3 Closing and Storing the Platform

STEP 4 Using the "DOWN" toggle switch, power platform down past the Travel Lock.



STEP 5 Using the "UP" toggle switch, power platform up to activate Lock Catch, once the Travel Ear clears the slot use the "DOWN" toggle switch to lower Travel Ear into the slot.

Travel Ear Secured
in Travel Lock



2.4 Deactivating the Liftgate



WARNING

Unauthorized use may result in severe personal injury or death. Deactivate liftgate when finished operating.

STEP 1 Turn off power to liftgate by turning the master disconnect switch, located in pump box, to the "OFF" position.



2.5A Proper Dock Loading Procedures



WARNING

Incorrectly following these steps may result in severe personal injury or death. Before beginning the Dock Loading Procedures be sure to follow the Proper Cargo Handling Steps pages **21-23** which apply to you.

A. WHEN TRUCK BED IS EVEN WITH LOADING DOCK

Notice: A second person will need to be outside to direct the driver



WARNING

Platform may crush or pinch. Make sure people are clear of area in which platform will open.



CAUTION

Do not move truck with platform on the ground. Liftgate may be torn off or severely damaged.

- STEP 1** Back truck to dock. If the top of the platform is not below the bed of the truck lower the platform to the ground.



2.5A Proper Dock Loading Procedures

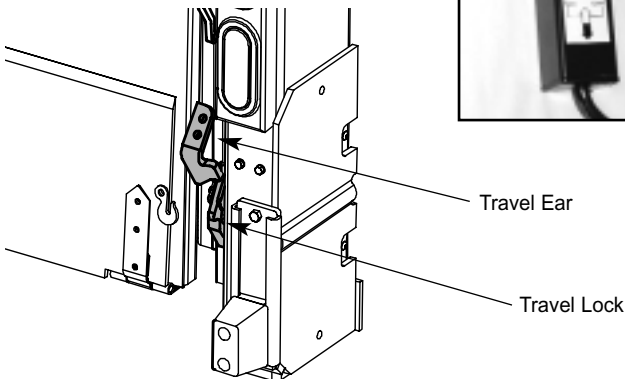
STEP 2 Place wheel chock under the tires



STEP 3 Turn on power to liftgate by turning the master disconnect switch, located in pump box, to the "ON" position.



STEP 4 Using the "UP" toggle switch, power platform up so that it is completely out of the travel locks.



2.5A Proper Dock Loading Procedures

STEP 5 Using the "DOWN" toggle switch, power platform down until the platform is level with the truck floor and rests on the Dock Stops.




STEP 6 Place dock plate (if necessary) across loading dock and bed of the truck.



STEP 7 Begin loading/unloading the truck.



2.5A Proper Dock Loading Procedures

	CAUTION	Do not move truck with platform on the ground. Liftgate may be torn off or severely damaged.
---	----------------	--

STEP 8 Remove dock plate when finished and store platform in travel latch. See “Closing and Storing the Platform” **pages 24-25**.



STEP 9 Remove the wheel chocks and move the truck slowly and carefully out of the dock area before placing the liftgate into its stored position.



2.5B Proper Low Dock Loading Procedures



WARNING

Incorrectly following these steps may result in severe personal injury or death. Before beginning the Dock Loading Procedures be sure to follow the Proper Cargo Handling Steps pages **21-23** which apply to you.

B. WHEN LOADING DOCK IS LOWER THAN BED OF TRUCK

Notice: A second person will need to be outside to direct the driver



WARNING

Platform may crush or pinch. Make sure people are clear of area in which platform will open.

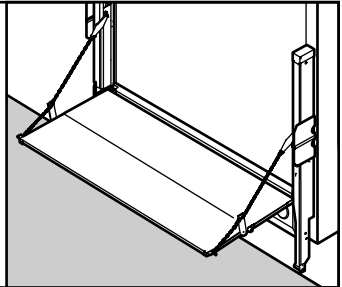
STEP 1 Open the platform, See “Opening Liftgate Platform” page 20.

2.5B Proper Low Dock Loading Procedures

STEP 2 Raise the platform to the bed of the truck.



STEP 3 Slowly back truck towards the dock. STOP once the platform is over the dock.



STEP 4 Place wheel chock under the tires.



2.5B Proper Low Dock Loading Procedures

STEP 5 Unload the cargo from the vehicle to the liftgate platform.



STEP 6 Lower the platform to the dock.



2.5B Proper Low Dock Loading Procedures

STEP 7 Unload the cargo from the platform to the dock.



STEP 8 Once use of the liftgate is complete, drive truck away from dock at least 1-1/2 times depth of platform. Return platform to its stored position. See “Closing and Storing the Platform” **pages 24- 25**.

NOTE Reverse steps 5 through 7 for loading from dock to vehicle.

3. PREVENTIVE MAINTENANCE

3.1 Essential Maintenance

We strongly recommend using our preventive maintenance schedule as a means of keeping your liftgate running at its best. The **Daily Overall Inspection** should be performed by you, the operator, each day. You should also perform the **Periodic Lubrication** according to the chart on page 41. The **Routine Maintenance Schedule** should be performed annually by an Authorized Service Center. By performing your **Daily Overall Inspection** and **Periodic Lubrication** and having annual **Routine Maintenance Inspections** performed, you can ensure years of safe, trouble free operations.

Your first visit to your Authorized Service Center should occur once the liftgate has been in operation for 30 days. The importance of this initial inspection is to make sure that everything is working properly during this break in period. Once this is complete, return annually to your Authorized Service Center for performance of the Routine Maintenance Schedule.

3.2 Daily Overall Inspection

STEP 1 Run liftgate through its entire cycle daily. Check for any unusual noises coming from the liftgate or related items such as the power unit.

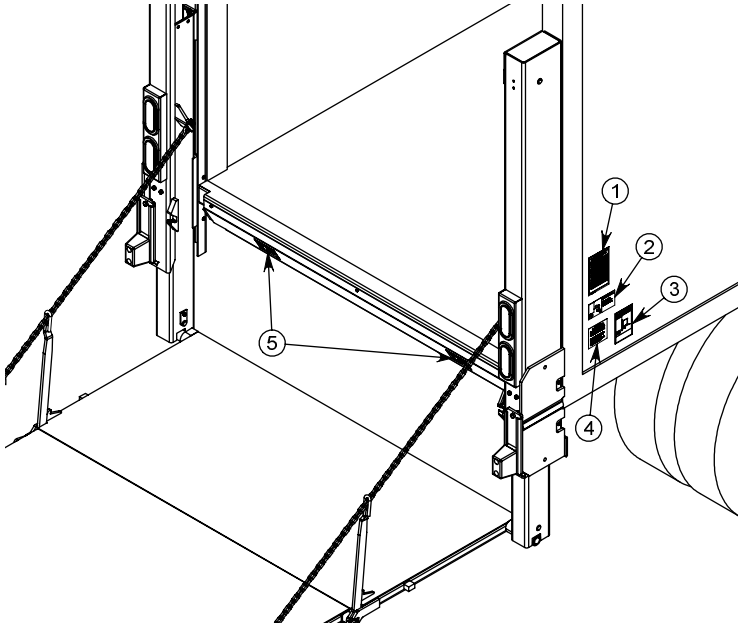


STEP 2 Inspect liftgate for missing or loosened fasteners, broken welds, signs of overload, hydraulic leaks and that pins are in place and secured. Any defects need repair immediately. Contact your Authorized Service Center.



3.2 Daily Overall Inspection

STEP 3 Check that all warning decals are in place and legible.
Any missing or damaged decals need replacement immediately.



- | | |
|----------------------------------|-------------------------------|
| 1. Operating Instructions | 4. Urgent Warning |
| 2. Warning Keep Clear | 5. Warning Liftgate Can Crush |
| 3. Warning Maximum Load Capacity | |

You may obtain free replacement decals (See **page 17** for detailed description of decals) by phoning us at **1-800-289-1335** in **U.S.A.** or **1-416-421-7987** in **Canada**.

Have your liftgate model # and serial # ready.

NOTE: Please fill out the chart provided, as a reminder that these steps have been completed daily. You will find a sample of this chart on the page that follows. Contact your employer to receive a copy to keep in your glove compartment.

3.2 Daily Overall Inspection

SAMPLE OF DAILY CHECK CHART



WARNING

Do not operate the liftgate if everything does not check out properly during its daily inspection. Liftgate may malfunction causing severe personal injury or death. Liftgate should be inspected IMMEDIATELY by an Authorized Service Center.

Date	Liftgate Cycle Check	Fastener Check	Weld Check	Signs of Overload Check	Hydraulic Leak Check	Support Chains Check	Safety Decal Check
6/9/01	MS	MS	MS	MS			

3.3 Periodic Lubrication

Lubrication with lightweight machine oil should be performed at least monthly. Heavier usage will require more frequent lubrication consult the chart below. If you are in any doubt as to duty or number of cycles, lubricate more frequently.

Cycles per Day	Light Duty ¹	Medium Duty ²	Heavy Duty ³
Under 20	1 month	1 month	1 month
20-40	1 month	1 month	2 weeks
40-60	1 month	2 weeks	Weekly
Over 60	Consult factory	Consult factory	Consult factory

¹ Lowering rated load and lifting empty platform

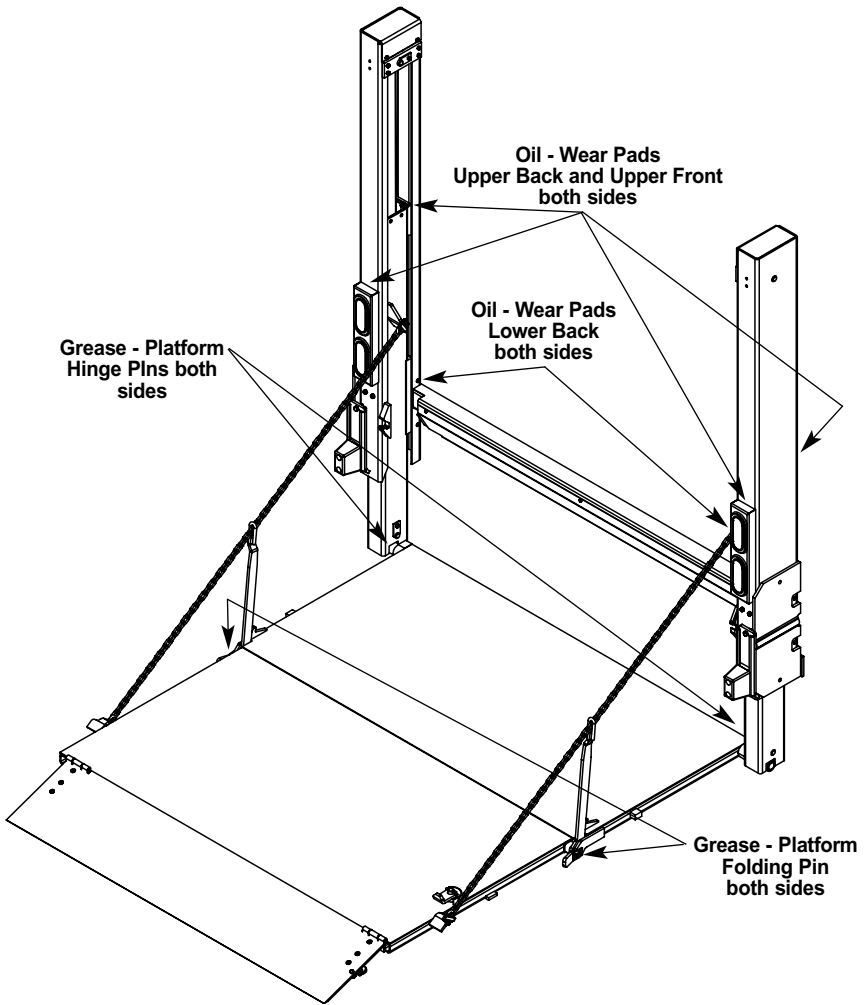
² Lowering rated load and lifting 1/2 rated load

³ Lowering rated load and lifting

3.3 Periodic Lubrication

LUBRICATION DIAGRAM

Lubricate **only** the areas shown on the diagram below. Lubrication of any other areas will shorten the life of the area lubricated.



Liftgate Warranty Procedure

WE KEEP YOU ON THE JOB

You have just purchased a DV Series. With careful maintenance and proper operation it should give you years of dependable, reliable and trouble-free use. If a problem does develop, contact us at **1-800-289-1335** in **U.S.A.** or **1-416-421-7987** in **Canada** to obtain the name of our Authorized Service Center in your area. An Authorized Service Center has the training to service your liftgate.

If you think you have a WARRANTY CLAIM, read the following:

- 1 Carefully read the Warranty Registration Form found with your Operating Instructions and Maintenance Manual. Our warranty is for 3 years on the entire liftgate against faulty material and workmanship. Parts and labor coverage exists for the first year of the warranty period, parts only after that.
- 2 Your Authorized Service Center will receive a pre-approved claim after consulting with the factory and repair of your liftgate will be done immediately to get you on the road as quickly as possible. They may invoice you for this service. If the problem is warrantable by us, we will issue your Authorized Service Center a credit that will be passed on to you.

Getting Help

NEED HELP?

If you have any questions concerning liftgate installation, maintenance, warranty, parts or operation, contact the Factory at any time:



Ultron Lift Inc.
12 Industrial St.
Toronto, ON M4G 1Y9 Canada
Phone: (416) 421-7987
Fax: (416) 421-7927

Ultron Lift Corp.
190 Lewis St. • PO Box 6126
Buffalo, NY 14240-6126 USA
Phone: (716) 853-7994
800-289-1335
Fax: (716) 854-5424

E-mail: QRT@ultronlift.com

Keep the name of your Authorized Service Center here for easy access.

Name

Address

Phone

Contact Person

Ordering Parts

GENUINE OEM PARTS

Each Liftgate is manufactured to stringent quality standards for years of reliable service. To ensure maximum performance of your Liftgate, always specify and use genuine OEM Replacement parts from us. For more information on OEM Parts, request the **Parts Locator Manual**.

SAME DAY PARTS AVAILABILITY

Ask your distributor about our exclusive “**Blue Label™**” same day parts program. Place your order as late as **5:00 p.m. Eastern time**, specify “**Blue Label™**” service, and we guarantee same day shipment of stocked parts or we pay the freight.

Three Year Limited Warranty

Ultron Lift Corp. in the United States of America or Ultron Lift, Inc in Canada (each herein called the "Company") warrants to Distributor and/or to original purchaser for use, that it will repair F.O.B. its factory in Toronto, ON (Canada) or Buffalo, NY (USA) or furnish without charge, freight prepaid, a similar genuine part to replace any part of any liftgate sold (herein called the "Liftgate") by the Company which, within twenty four (24) months after the date of sale by Distributor in the case of hydraulic or electrical parts, and within thirty six (36) months after the date of sale by Distributor in the case of all other parts, is proven that all parts claimed defective shall be returned, properly identified, to said factory, freight prepaid. Charges for labor to install such part shall be paid only with respect to parts which, within twelve (12) months after the date of sale by Distributor, are proven to the satisfaction of the Company to have been defective at the time they were sold and shall be paid in accordance with the Company's Flat Rate Schedule and will be reimbursed at a rate to be set by the Company from time to time. This warranty shall be in effect as of May 1, 1995 and will cover only Liftgates sold after that date. The Company's obligation under this warranty shall not include any costs incurred by anyone for consequential damages in any form and, in particular, without restricting the generality of the foregoing, shall not include costs for vehicle towing, road calls or travel time. This warranty is expressly in lieu of all other warranties, expressed or implied, upon which Liftgates are sold. No other warranty has been made or exists.

This warranty applies only to new and unused Liftgates which, after shipment from said factory, have not been altered, changed, repaired or treated in any manner whatsoever. No warranty of any kind applies to Liftgates, or parts thereof, which have been damaged or have failed because of neglect, lack of maintenance or service, or lubrication, wear, misuse, overloading, accident, or improper installation. No warranty of any kind, statutory, implied or otherwise, shall apply to second-hand or used Liftgates or to new and unused Liftgates which, after shipment from said factory, have been altered, changes, repaired or treated in any manner whatsoever. The integral parts of the Liftgates not manufactured by the Company are covered only by the standard warranty, if any, of the maker of same and the Company assumes no responsibility with respect thereto. No person has any authority to change this warranty in any manner whatsoever and no attempt to repair or promise to repair or improve, any Liftgate made by any representative of the Company shall waive any provision or term of this warranty, or change or extend this warranty in any manner whatsoever.

No claim under this warranty shall be valid unless such claim is submitted to the Company in writing and received by the Company within thirty six (36) months after date of sale by Distributor or within thirty (30) days after discovery of the defect which is the basis of such claim, whichever event shall occur first.